

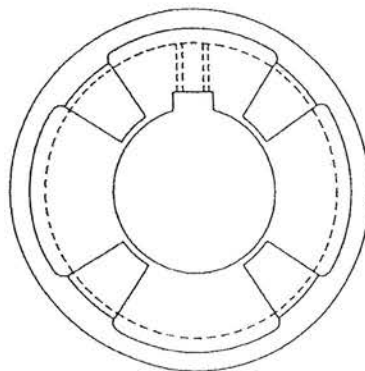
During the design of mounting systems and coupling installation on these systems the spacing between shaft ends is an important parameter. Shaft engagement in the coupling bore is important to ensure adequate load bearing surfaces for the keystone or spline teeth. A good "rule of thumb" is one times the shaft diameter for shaft engagement. However, "additional engagement when available" is the First Corollary to this rule.

In our Flexible Drive Couplings catalog, the dimensions "W" and "X" are given to assist in the proper design of these mounting systems. The dimension "W" is the minimum shaft separation recommended to prevent contact between the shaft ends. Dimension "X" is the maximum shaft end separation to insure full engagement in the coupling. This dimension results in both shafts being flush with the inner surface of the coupling and 100% engaged through the shaft length. While this situation is ideal, because of shaft lengths, it is sometimes not possible to achieve. In these cases, we recommend following the above corollary to the "one times shaft diameter" rule.

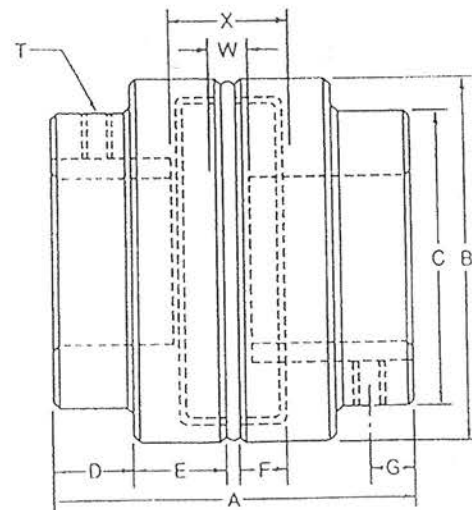
**THE FULL ENGAGEMENT CONDITION RESULTING FROM DIMENSION "X" IS NOT NECESSARY FOR SATISFACTORY PERFORMANCE OF THE MAGNALOY COUPLING AND IS SHOWN FOR ILLUSTRATIVE PURPOSES ONLY.**

X: Maximum space between shaft ends to allow full shaft engagement in Hub Bore.

W: Minimum spacing between shaft ends.



TOLERANCES 2 Place Decimals  $\pm .01$   
3 Place Decimals  $\pm .001$



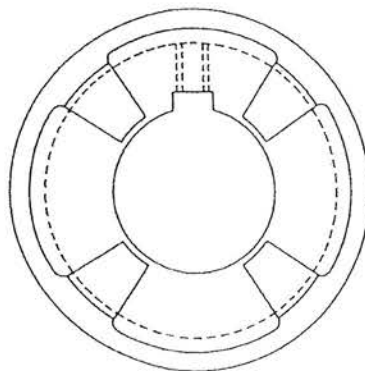
During the design of mounting systems and coupling installation on these systems the spacing between shaft ends is an important parameter. Shaft engagement in the coupling bore is important to ensure adequate load bearing surfaces for the keystone or spline teeth. A good "rule of thumb" is one times the shaft diameter for shaft engagement. However, "additional engagement when available" is the First Corollary to this rule.

In our Flexible Drive Couplings catalog, the dimensions "W" and "X" are given to assist in the proper design of these mounting systems. The dimension "W" is the minimum shaft separation recommended to prevent contact between the shaft ends. Dimension "X" is the maximum shaft end separation to insure full engagement in the coupling. This dimension results in both shafts being flush with the inner surface of the coupling and 100% engaged through the shaft length. While this situation is ideal, because of shaft lengths, it is sometimes not possible to achieve. In these cases, we recommend following the above corollary to the "one times shaft diameter" rule.

**THE FULL ENGAGEMENT CONDITION RESULTING FROM DIMENSION "X" IS NOT NECESSARY FOR SATISFACTORY PERFORMANCE OF THE MAGNALOY COUPLING AND IS SHOWN FOR ILLUSTRATIVE PURPOSES ONLY.**

X: Maximum space between shaft ends to allow full shaft engagement in Hub Bore.

W: Minimum spacing between shaft ends.



TOLERANCES 2 Place Decimals  $\pm .01$   
3 Place Decimals  $\pm .001$

