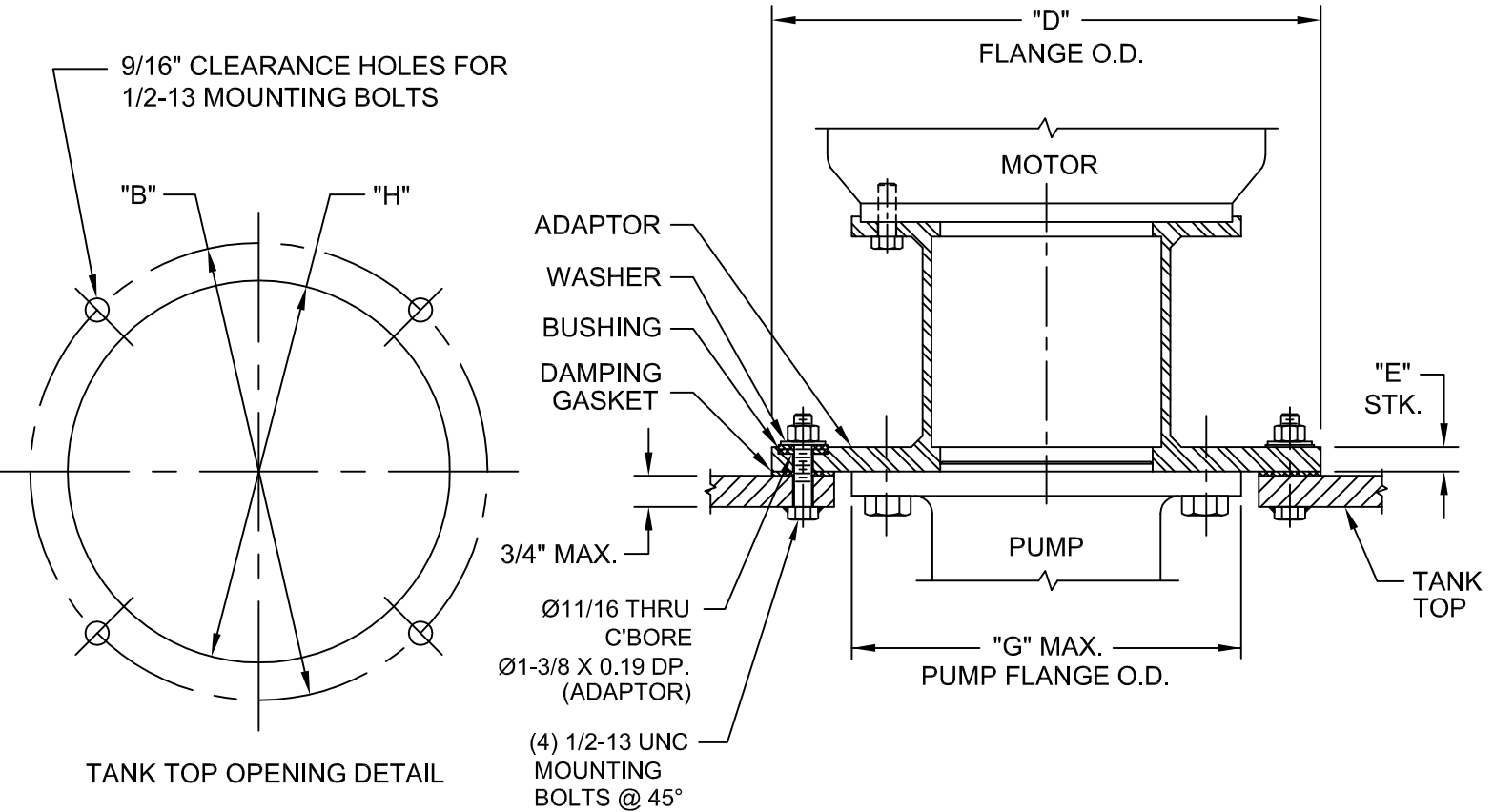


# PUMP FLANGE VERTICAL MOUNTS with VIBRATION DAMPING KIT



- NOTES:**
- ADAPTOR LENGTH IS DETERMINED BY MOTOR, COUPLING, AND PUMP SELECTION.
  - SOME PUMPS MAY REQUIRE A LARGER TANK TOP BOLT CIRCLE THAN WHAT IS SHOWN BELOW, CUSTOMER MUST VERIFY.
  - IT IS THE CUSTOMER'S RESPONSIBILITY TO VERIFY CLEARANCE FOR PUMP PORTS AND HOSES.

UNIT SIZE	MAX. PUMP FLANGE O.D. G	MAX. PIPE SIZE	B	D	E	H	REFERENCE MAXIMUM SAE PUMP SIZE	GASKET
PVQ1	7.0	6"	9.00	10.75	.75	7.50	SAE A	46281-001
PVQ2	9.0	8"	11.25	13.00	.75	9.50	SAE B	46281-002
PVQ3	11.5	10"	13.75	15.50	.88	12.00	SAE C	46281-003
PVQ4	13.0	12"	15.25	17.00	.88	13.50	SAE D	46281-004
PVQ5	14.5	14"	16.75	18.50	.88	15.00	SAE E	46281-005
PVQ6	16.5	16"	19.00	21.00	1.0	17.00	SAE F	46281-006