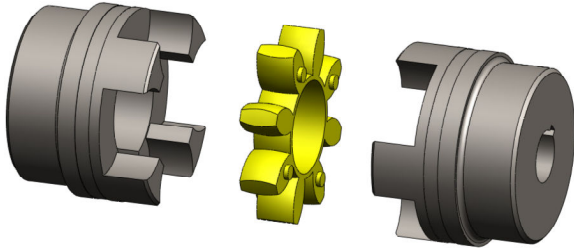


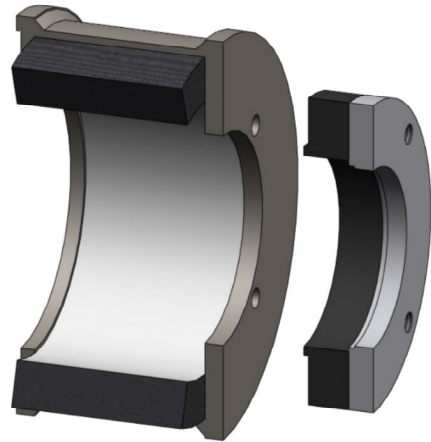


*"Providing You With Solutions"*

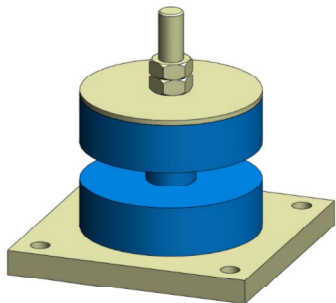
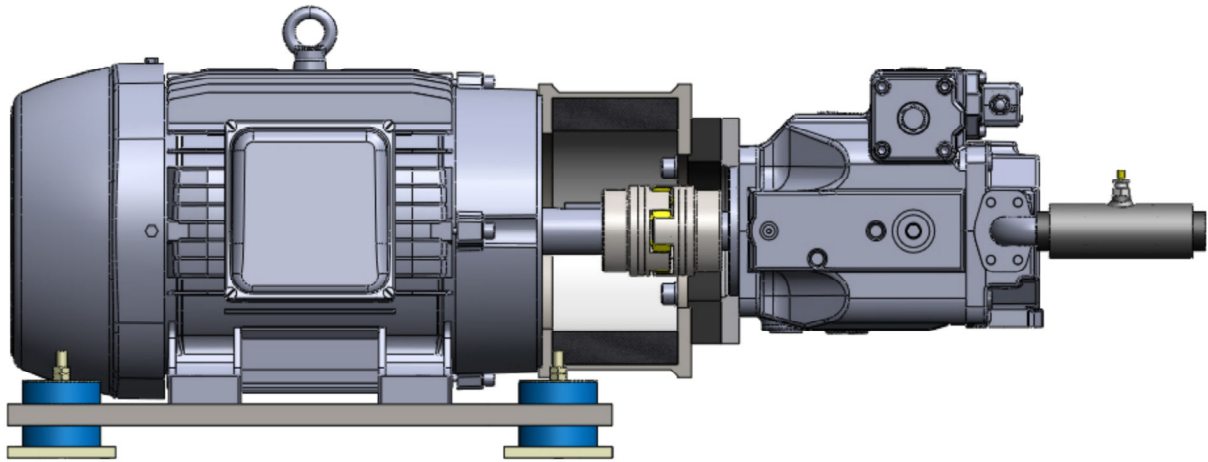
# SOUND REDUCTION OPTIONS FOR HORIZONTAL APPLICATIONS



ROTEX COUPLING WITH DOUBLE CROWN DESIGN  
ABSORBS SHOCK AND VIBRATION



BSF STEEL ADAPTOR WITH 1-1/2" SOUND  
ABSORBING BARRIER BONDED INSIDE  
WITH OPTIONAL DAMPENING FLANGE



ISOLATION MOUNTS  
REDUCE VIBRATION AND SOUND



NOISE/SHOCK SUPPRESSOR REDUCES  
SOUND PULSATIONS IN HYDRAULIC LINES