



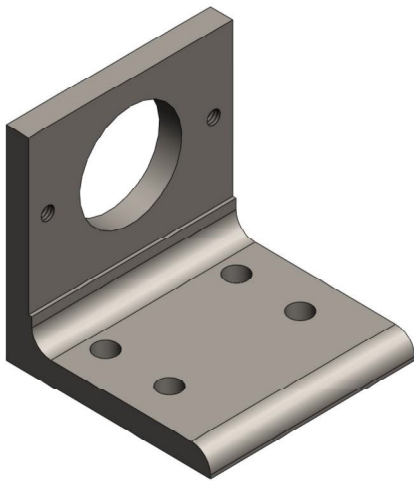
*"Providing You With Solutions"*

ISO 9001:2000 CERTIFIED

# CUSTOM STEEL ANGLE MOUNTS

BSF CUSTOM STEEL ANGLE FOOT MOUNTS are an inexpensive way to mount small pumps ranging in size from 4F17 through SAE "B", as well as small metric pumps.

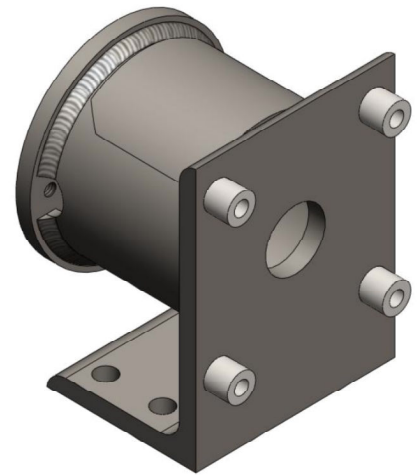
Features Include: Standard Material: ASTM Grade A36 Steel and Center heights range from 3" to 6"



SAE "AA" 2 BOLT  
CUSTOM ANGLE MOUNT



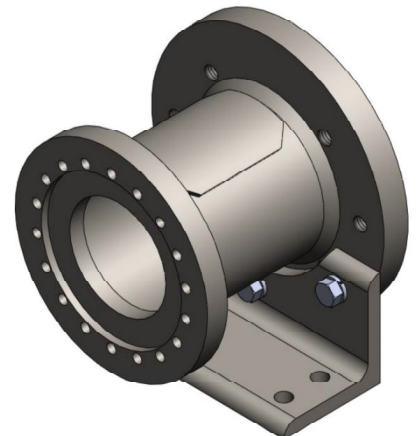
SAE "B" 2 BOLT  
CUSTOM ANGLE MOUNT



ADAPTOR WELDED  
CUSTOM ANGLE MOUNT



SAE "A" 4 BOLT  
CUSTOM ANGLE MOUNT



ADAPTOR BOLTED  
CUSTOM ANGLE MOUNT