



"Providing You With Solutions"

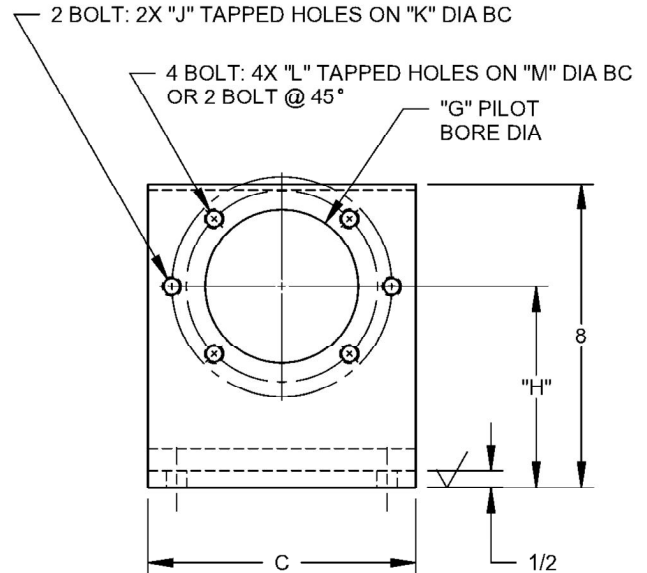
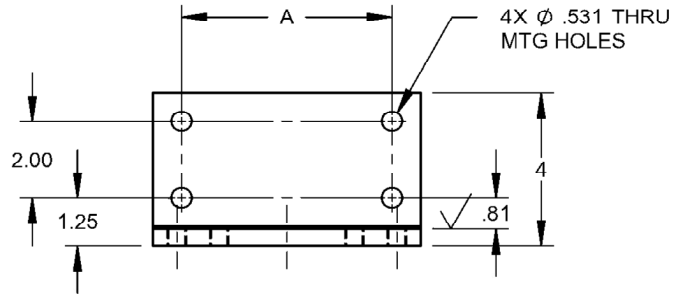
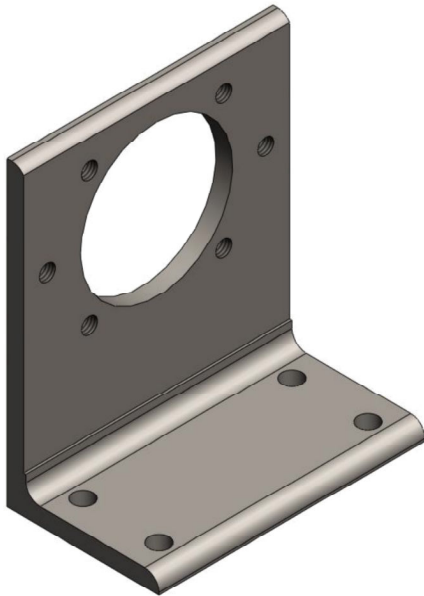
ISO 9001:2000 CERTIFIED

# FOOT MOUNT STEEL ANGLE

BSF STEEL ANGLE FOOT MOUNTS are an inexpensive way to mount small pumps ranging in size from 4F17 through SAE "B", as well as small metric pumps.

**Features Include:**

- 2 Bolt, 4 Bolt, or combination of 2 & 4 Bolt
- Special mounting hole configurations available
- Standard Material: ASTM Grade A36 Steel
- Center heights range from 3" to 6"
- Custom designs also available



QTY	REF MODEL	SIZE	A	C	G	H	J	K	L	M	WEIGHT
	L4F17 - "H"	4F17 4-BOLT	4.5	6	1.782 1.785	3 - 6	-	-	5/16-18	2.828	10 lbs.
	LAA2 - "H"	SAE AA 2-BOLT	4.5	6	2.002 2.005	3 - 6	5/16-18	3.250	-	-	10 lbs.
	LA2 - "H"	SAE A 2-BOLT	4.5	6	3.252 3.255	3 - 6	3/8-16	4.188	-	-	10 lbs.
	LA2S - "H"	SAE A 2-BOLT @ 45°	4.5	6	3.252 3.255	3 - 6	-	-	3/8-16	4.188	10 lbs.
	LA4 - "H"	SAE A 4-BOLT	4.5	6	3.252 3.255	3 - 6	-	-	3/8-16	4.125	10 lbs.
	LB2 - "H"	SAE B 2-BOLT	5.5	7	4.002 4.005	3.5 - 5.5	1/2-13	5.750	-	-	12 lbs.
	LB2S - "H"	SAE B 2-BOLT @ 45°	5.5	7	4.002 4.005	4 - 5	-	-	1/2-13	5.750	12 lbs.
	LB4 - "H"	SAE B 4-BOLT	5.5	7	4.002 4.005	3.5 - 5.5	-	-	1/2-13	5.000	12 lbs.